

## Main features

### Printing type



Barcode



Logos



Alphanumeric text

### Maximum height



0-15 mm



7-20 mm



Above 100 mm

### Printing surfaces



Primary packaging



Secondary packaging



Raw material

- Light: compact design in less than 3 Kg (6 lbs) for an easy integration on all production lines.
- Intelligent: single adjustable printhead from 7 to 20 mm (0,28" - 0,79") print height. The flexible and intuitive interface enables an easy print control from a 5,7" touch screen panel.
- Tiny: all-in-one design with integrated sensor, no need of factory air.
- Economic: best price/quality ratio of its segment, very low cost-per-print and initial investment thanks to the renowned robust solenoid printhead technology.

# Z101 LITE

## TECHNICAL SPECIFICATIONS

### PRINTING CHARACTERISTICS

- Single line coding with 7 dot printhead
- Print height from 7 to 20 mm (0,28" – 0,79")
- Line speed capability: up to 60 mt/min (197 ft/min)
- Printing rate: up to 150 ct/sec
- 100 messages storage
- 80 characters for each message
- Available fonts: 5x5 and 7x5
- Bold factor: up to 5 times
- Automatic calendar and expiration date print
- Incrementing/decreasing products counter up to 9 digits
- Repeat - message function
- Printing in all moving directions
- 180° text rotation
- Coding throw distance up to 25 mm (0,98")

### CONTROL UNIT CHARACTERISTICS

- Internal pump for ink pressurization
- 5,7" touch screen panel with backlit color LCD (640 x 480) display
- Stainless steel structure AISI 304

### GENERAL FEATURES

- Intuitive ease of use software interface
- Print parameters storage in the messages
- Report function for executed printing counter
- Keypad access with password
- Built-in multiple languages and alphabets
- Single nozzle purge and printing functions selectable from touch screen panel
- Inks for both porous and non porous surfaces

### PRINthead

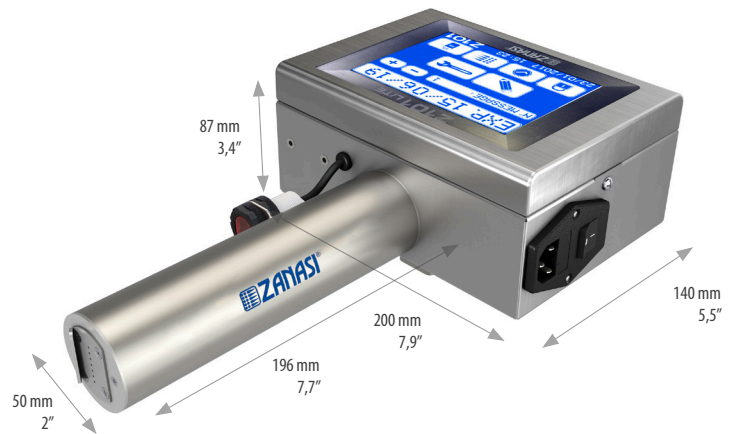
- Serviceable and replaceable
- High efficiency and accuracy solenoid technology
- Slant function for multiple print sizes
- Stainless steel structure AISI 304
- Dimensions: length 196 mm, ø 50 mm (length 7,7", ø 2")

### EXTERNAL CONNECTIONS

- Serial connection: RS232 (optional)
- Integrated optical sensor for product reading
- External alarm outputs for low ink level

### ENVIRONMENT/ELECTRICAL REQUIREMENTS

- Temperature: 5° - 45°C (41°-113°F)
- Humidity: 0 - 90% (non-condensing)
- Single Phase, 85-240 Vac, 50-60 Hz, 30 VA



20 mm  
0,79" 7 DOT FONT 20MM HEIGHT



7 mm  
0,28" 7 DOT FONT 7MM HEIGHT

