

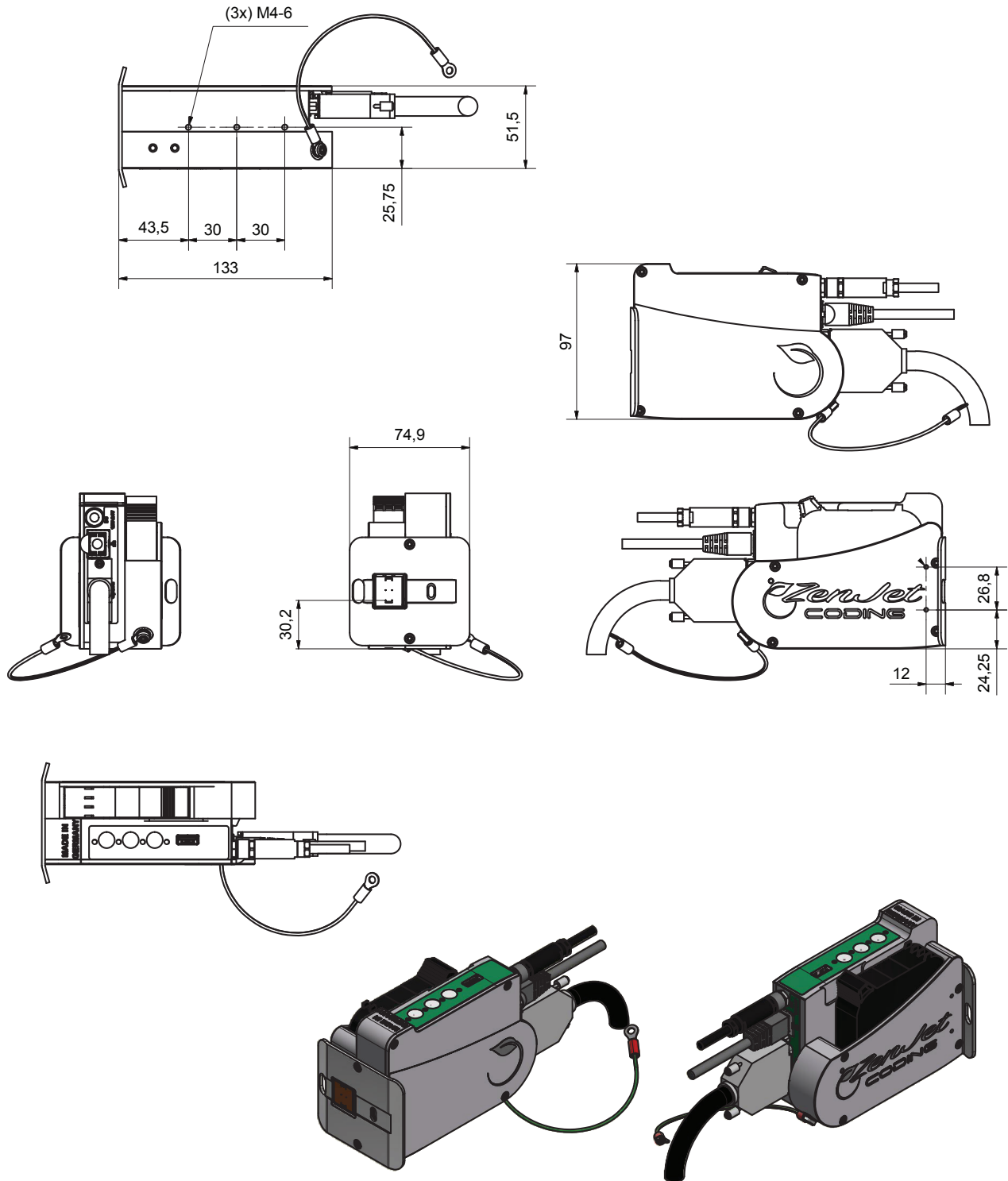
TECHNICAL FEATURES

ZENJET ESSENTIAL

Printing speed max 300 dpi	30 m/min
Horizontal resolution max	from 300 dpi
Vertical resolution max	600 dpi
Character height	from 5 mm to 12,5 mm
Printout width in WYSIWYG	up to 3 m
Internal memory text	9 on printer unlimited with PC
Counter	✓
Date field	✓
Date offset - Expiry date	✓
Logos	✓
Barcodes	✓
Fix 2D and 1D code	✓
Data transfer by USB-stick	✓
Communication Protocol	✓ macro commands available
Ethernet port + TCP / IP address	✓
RS 232	✓
Web browser interface	✓
Internal product sensor	✓
External product sensor	✓
Encoder (external)	✓
Additional Inputs /Outputs	4 Inputs / 4 Outputs Ex: Print direction, Spit
Ink level display	LED
Ink refreshment possibility	✓
Temperature control and warning	✓
PC Label-editor and file-transfer available	✓ by Ethernet and RS232 ports
Fonts used	Printer font + TTF
Power supply	24 VDC 90 to 240 V AC, 50-60 Hz
Electrical consumption	< 15 W - 1,25A / 0,8 W in standby
Operating temperature	5 to 40°C
Operating humidity not condensed	10 - 90%
Weight to consider for motion system	< 800 gr (print head)
Protection rating : IP40	✓

ZenJet CODING

A MARKING & CODING COMPANY



www.zenjet-coding.com
+33 475 82 84 53
info@zenjet-coding.com

ZENJET ESSENTIAL