

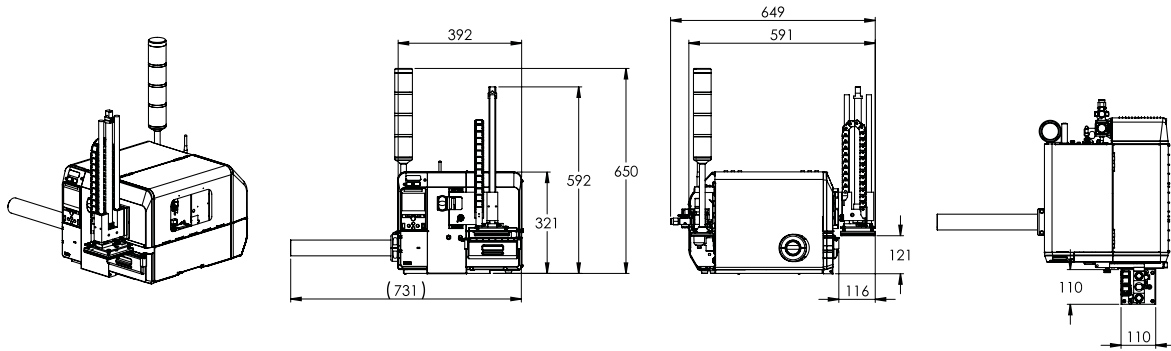
THE LABELLER WITH THE MOST SURPRISING PRICE



idPrima by **MACSA**
Compact. Reliable. Affordable.

Macsa id[®]
a code you can trust

idPrima



		idPrima 4000
PRINTER <i>(see printer documents for more details)</i>	Model	Sato CL4NX
	Print method	Thermal Transfer or Direct Thermal printing
	Resolution	From 200 to 600 dpi
	Operating side	Right
	Maximum label width	4" / 110 mm
	Reel external diameter	220 mm (IN/OUT winding)
	Inner core diameter	76,2 mm (3")
	Ribbon winding	IN / OUT
	Ribbon capacity	Maxium diameter 90 mm
APPLICATORS	Applicators range	20 Lineal; 60 Shift
COMMUNICATIONS & INPUTS/OUTPUTS	Communication ports	Ethernet • Serie RS-232 • USB
	Input / Output	23 OPTO PNP Inputs (Vdc = 24V) 21 Open Collector outputs and Dry contact (external)
TECHNICAL DETAILS	Length	600 mm (according to applicator)
	Height	350 mm (Rodless Lineal Applicator) 590 mm (with rod)
	Width	414 mm
	Weight without support	30 Kg
	Power supply	110 - 240 V AC • 50 / 60 Hz
	Electricity consumption	600 W
	Compressed air	5 - 6 bar. Dry and clean air
	Pneumatic consumption	40 l/min. (depending on the working mode)
	Temperature	From +5 °C to +40 °C
	Humidity	20 - 85% without condensation

CHARACTERISTICS:

- Printing engine: Sato CL4NX
- Same electronics used in idBlocks
- Internal winder and unwinder of small reels printer
- Support not included
- Applicators: only for 110x160mm springs

* Production may vary depending on the working conditions.

idPrima by **MACSA**

Compact. Reliable. Affordable.

MACSA ID , S.A.

Pl. Pla de Santa Anna · 08272 Sant Fruitós de Bages · Barcelona (Spain)
T. +34 902 101 828 · macsa@macsa.com - www.macsalaser.com

Macsa id[®]
a code you can trust